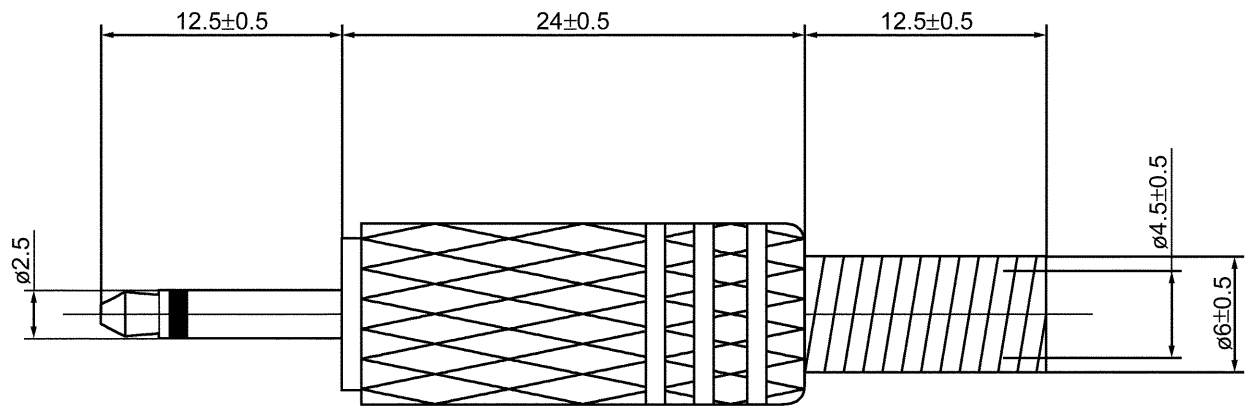


RoHS  
STANDARD  
Drawing For Reference Only



Technical requirement :

1. This product should meet EU RoHS related requirement.
2. The surface of plastic part should be without any crackle such as burr,lack,and so on phenomenon.
3. The surface of metal part should be without any defect such as scour,nick,oxidation and plating problem.
4. The electronic performance should be the same as spec.
5. The un-specified tolerance is :  $<6 \pm 0.1$   
 $6 \sim 20 \pm 0.2$   
 $>20 \pm 0.3$

Specification :

- Contact Resistance : 30m ohm max.
- Insulation Resistance : 100M ohm mih. at DC 500V
- Dielectric Strength : AC 500V for one minute.

**DCI** DRAGON CITY INDUSTRIES LIMITED

PART NAME	2.5mm Stereo Phone Plug	TOLERANCE : ±	DESIGN	K.W LAW	REMARK	SCALE
PART NO.	NP-127-EN	UNIT: MM	DRAWING	W.K YEUNG	REMARK	MATERIAL
			CHECK	K.L WONG	REMARK	DWG. NO. 80421-1205
			APPROVAL	K.W CHAN	REMARK	SHEET